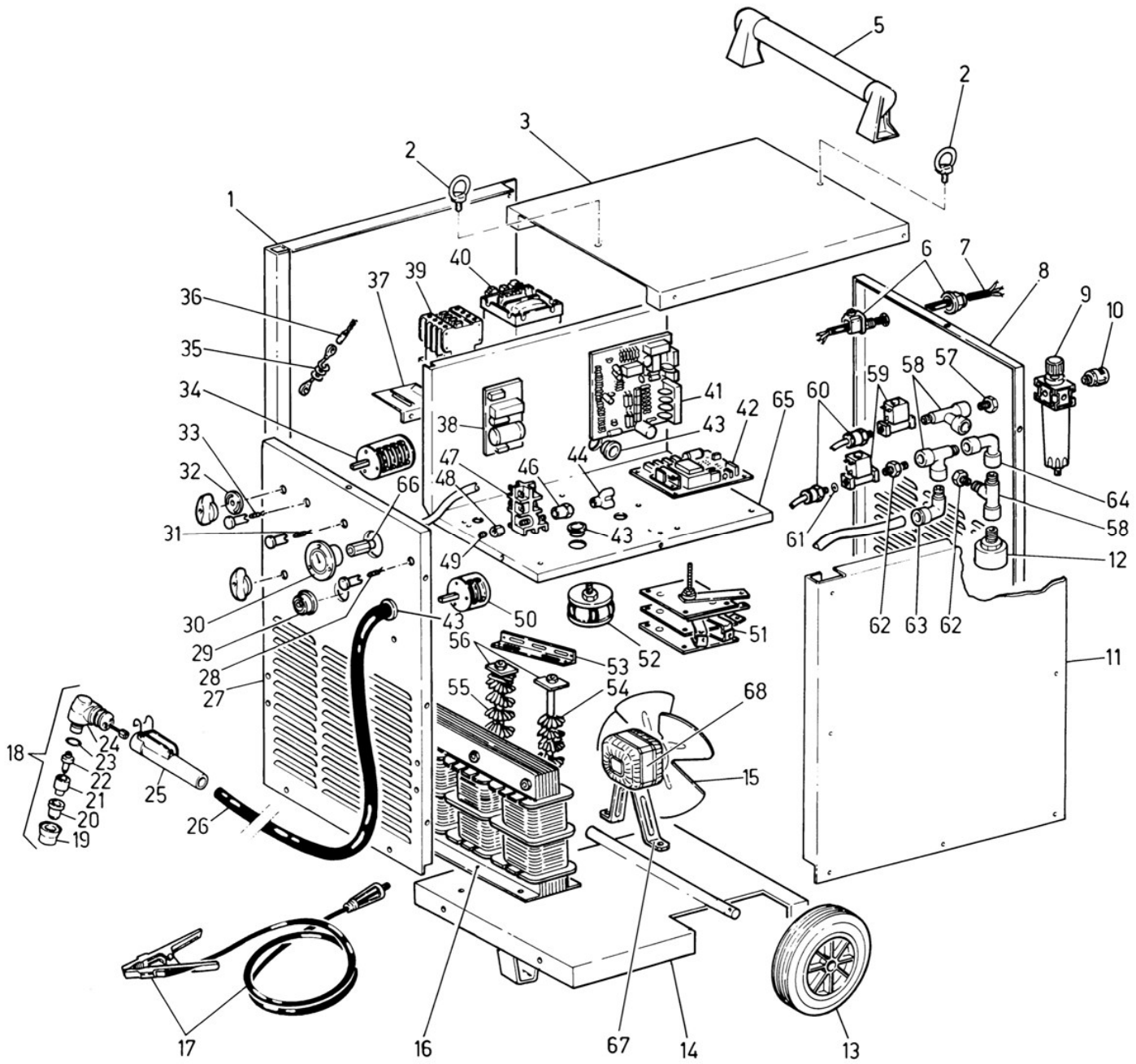


**Art./Item 488**

POS.	DESCRIZIONE	DESCRIPTION	STÜCKLISTE	DESIGNATION	DENOMINACION	DESCRIÇÃO	BESCHRIJVING
1	FASCIONE SINISTRO	LEFT HOUSING	LINKES GEHÄUSE	CARCASSE GAUCHE	CARCASA IZQUIERDA	FECHO ESQUERDA	LINKERPANEEL
2	GOLFARE	EYEBOLT	OESENSCHRAUBE	ANNEAU	BULÓN DE SUSPENSIÓN	ARGOLA	OOGBOUW
3	TETTuccio	TOP PANEL	DECKEL	PANNEAU SUPERIEUR	TAPA	TAMPA	BOVENPANEEL
5	MANICO	HANDLE	GRIFF	MANCHE	MANGO	PEGA	HANDVAT
6	PRESSACAVO	STRAIN RELIEF	ZUGENLASTUNG	SERRE-CABLE	PRENSA-CABLE	FIXADOR DO CABO ELÉCTRICO	KABELHOUDER
7	CAVO RETE	MAINS INPUT CABLE	NETZANSCHLUSSLEITUNG	CABLE-RESEAU	CABLE RED	CABO DE ALIMENTAÇÃO	VOEDINGSKABEL
8	PANNELLO POSTERIORE	BACK PANEL	RÜCKWAND	PANNEAU ARRIERE	PANEL POSTERIOR	PAINEL POSTERIOR	ACHTERPANEEL
9	RIDUTTORE	REDUCER	DRUCKMINDERER	REDUCTEUR	REDUCTOR	REDUTOR	DRUKVERMINDERAAR
10	RACCORDO	JOINT	PASSTÜCK	RACCORD	EMPALME	LIGAÇÃO	VERBINDINGSSTUK
11	FASCIONE DESTRO	RIGHT HOUSING	RECHTES GEHÄUSE	PANNEAU DROIT	CARCASA DERECHA	FECHO DIREITA	RECHTERPANEEL
12	PRESSOSTATO	PRESSURE SWITCH	DRUCKWAECHTER	PRESSOSTAT	PRESOSTATO	PRESSOSTATO	DRUKSCHAKELAAR
13	RUOTA	WHEEL	RAD	ROUE	RUEDA	RODA	WIEL
14	FONDO	BASE	BODENBLECH	FOND	FONDO	BASE	BODEM
15	VENTILATORE	FAN	VENTILATOR	VENTILATEUR	VENTILADOR	VENTAROLA	VENTILATOR
16	TRASFORMATORE	TRANSFORMER	TRANSFORMATOR	TRANSFORMATEUR	TRANSFORMADOR	TRANSFORMADOR	TRANSFORMATOR
17	CAVO MASSA	EARTH CABLE	MASSEKABEL	CABLE DE TERRE	CABLE MASA	CABO MASSA	MASSAKABEL
18	TORCIA COMPLETA	COMPLETE TORCH	BRENNER	TORCHE COMPLETE	ANTORCHA COMPLETA	TOCHA COMPLETA	VOLLEDIGE TOORTS
19	PORTA UGELLO	NOZZLE HOLDER	DÜSENHALTER	PORTE-BUSE	PORTA-INJECTOR	PORTA INJECTOR	MONDSTUKHOUDER
20	UGELLO	NOZZLE	DÜSE	BUSE	INJECTOR	INJECTOR	MONDSTUK
21	DIFFUSORE ISOLANTE	INSULATING DIFFUSOR	ISOLIERENDER DIFFUSOR	DIFFUSEUR ISOLANT	DIFUSOR AISLANTE	DIFUSOR ISOLADOR	ISOLATIERING
22	ELETTRODO	ELECTRODE	ELEKTRODE	ELECTRODE	ELECTRODO	ELÉCTRODO	ELEKTRODE
23	ANELLO DI TENUTA	O-RING	DICHTRING	BAGUE D'ETANCHEITE	EMPAQUETADO	ANEL DE VEDAÇÃO	O-RING
24	TESTINA	HEAD	BRENNERKOPF	TETE	CABEZA	CABECINHA	KOPSTUK
25	IMPUGNATURA	HANDGRIP	GRIFF	POIGNEE	EMPUNADURA	EMPUNHADURA	HANDVAT
26	CAVO TORCIA	TORCH CABLE	BRENNERKABEL	CABLE DE TORCHE	CABLE ANTORCHA	CABO TOCHA	TOORTSKABEL
27	PANNELLO ANTERIORE	FRONT PANEL	VORDERWAND	PANNEAU AVANT	PANEL ANTERIOR	PAINEL ANTERIOR	VOORPANEEL
28	LAMPADA SPIA	PILOT LAMP	SIGNALLAMPE	LAMPE TEMOIN	LAMPARA ESPIA	LÂMPADA VIGIA	CONTROLELAMP
29	INNESTO TEXAS	TEXAS CONNECTION	KUPPLUNG TEXAS	CONNEXION TEXAS	CONEXION TEXAS	NEXOS TEXAS	TEXAS-VERBINDINGSSTUK
30	MANOMETRO	GAUGE	MANOMETER	MANOMETRE	MANOMETRO	MANÓMETRO	METER
31	LAMPADA SPIA	PILOT LAMP	SIGNALLAMPE	LAMPE TEMOIN	LAMPARA ESPIA	LÂMPADA VIGIA	CONTROLELAMPJE
32	ARRESTO	LOCK DISK	BLOCKSCHIEBE	DISQUE D'ARRET	CAMBIATENSION	POSICIONADOR DO COMUTADOR	SLOTSCHAKELAAR
33	LAMPADA	LAMP	SIGNALLAMPE	LAMPE	LAMPARA	PILOTO	LAMPJE
34	COMMUTATORE	COMMUTATOR	SCHALTER	COMMUTATEUR	INTERRUPTOR	INTERRUPTOR	SCHAKELAAR
35	BOBINA	SPOOL	SPULEN	BOBINE	BOBINA	BOBINA	SPOEL
36	CONNESSIONE REED	REED CONNECTION	REED ANSCHLUSSTECKER	CONNEXION REED	CONEXION REED	CONEXÃO REED	RODE AANSLUITING
37	SUPPORTO TELERUTTORE	REMOTE CONTROL SWITCH SUPPORT	STEUERSCHÜTZMOTORFUS S	SUPPORT TELERUPTEUR	SOPORTE TELERRUPTOR	SUPORTE TELERRUPTOR	HOUDER VAN ELEKTROMAGNETISCHE SCHAKELAAR
38	CIRCUITO FILTRO	FILTER CIRCUIT	FILTERPLATINE	CIRCUIT FILTRE	CIRCUITO FILTRO	CIRCUITO FILTRO	FILTER-STROOMKRING
39	TELERUTTORE	REMOTE CONTROL SWITCH	STEUERSCHÜTZ	TELERUPTEUR	TELERRUPTOR	TELERRUPTOR	ELEKTROMAGNETISCHE SCHAKELAAR
40	TRASFORMATORE DI SERVIZIO	AUXILIARY TRANSFORMER	STEUERTRANSFORMATOR	TRANSFORMATEUR AUXILIAIRE	TRANSFORMADOR DE SERVICIO	TRANSFORMADOR DE SERVIÇO	HULPTRANSFORMATOR
41	CIRCUITO DI CONTROLLO	CONTROL CIRCUIT	STEUERPLATINE	CIRCUIT DE CONTROLE	CIRCUITO DE CONTROL	CIRCUITO DE CONTROLO	STUURSTROOMKRING
42	CIRCUITO ALTA FREQUENZA	HIGH FREQUENCY CIRCUIT	HOCH FREQUENZ STROMKREIS	CIRCUIT HAUTE FREQUENCE	CIRCUITO ALTA FRECUENCIA	CIRCUITO ALTA FREQUÊNCIA	STROOMKRING VAN HOOGFREQUENT
43	PASSACAVO	CABLE OUTLET	KABEL FÜHRUNG	PASSE-CABLE	PASA-CABLE	PASA-CABO	KABELAANSLUITSTUK
44	RACCORDO	JOINT	PASSTÜCK	RACCORD	EMPALME	LIGAÇÃO	VERBINDINGSSTUK
45	RACCORDO	JOINT	PASSTÜCK	RACCORD	EMPALME	LIGAÇÃO	VERBINDINGSSTUK
46	RACCORDO	JOINT	PASSTÜCK	RACCORD	EMPALME	LIGAÇÃO	VERBINDINGSSTUK
47	MORSETTIERA	TERMINAL BOARD	KLEMMEN	TABLEAU DE BORNES	CAJA DE BORNES	QUADRO DE BORNES	KLEMMENBORD
48	RACCORDO	JOINT	PASSTÜCK	RACCORD	EMPALME	LIGAÇÃO	VERBINDINGSSTUK
49	RACCORDO	JOINT	PASSTÜCK	RACCORD	EMPALME	LIGAÇÃO	VERBINDINGSSTUK
50	COMMUTATORE	COMMUTATOR	SCHALTER	COMMUTATEUR	INTERRUPTOR	COMUTADOR	OMZETTER
51	RADDRIZZATORE	RECTIFIER	GLEICHRICHTER	REDRESSEUR	ENDEREZADOR	RECTIFICADOR	GELIJKRICHTER
52	TRASFORMATORE ALTA TENSIONE	HIGH-TENSION TRANSFORMER	HOCHSPANNUNGSTRANSFORMATOR	TRANSFORMATEUR HAUTE TENSION	TRANSFORMADOR ALTA TENSION	TRANSFORMADOR ALTA TENSÃO	TRANSFORMADOR ALTA TENSÃO
53	SUPPORTO	SUPPORT	MOTORFUSS	SUPPORT	SOPORTE	SUPORTE	HOUDER
54	RESISTENZA	RESISTANCE	WIDERSTAND	RESISTANCE	RESISTENCIA	RESISTÊNCIA	WEERSTAND
55	RESISTENZA	RESISTANCE	WIDERSTAND	RESISTANCE	RESISTENCIA	RESISTÊNCIA	WEERSTAND

56	ISOLANTE	INSULATOR	ISOLIERENDER	ISOLANT	AISLAMIENTO	ISOLADOR	ISOLATOR
57	RACCORDO	CONNECTOR	PASSTÜCK	RACCORD	EMPALME	LIGAÇÃO	VERBINDINGSSTUK
58	RACCORDO	CONNECTOR	PASSTÜCK	RACCORD	EMPALME	LIGAÇÃO	VERBINDINGSSTUK
59	ELETTROVALVOLA	SOLENOID VALVE	MAGNETVENTIL	SOUPAPE ELECTRIQUE	ELECTRO-VALVULA	ELECTROVALVULA	ELEKTROMAGNETISCH VENTIEL
60	RACCORDO	CONNECTOR	PASSTÜCK	RACCORD	EMPALME	LIGAÇÃO	VERBINDINGSSTUK
61	LIMITATORE Ø 1,7	LIMITING DEVICE Ø 1,7	BEGRENZER DURCHM. 1,7	LIMITATEUR Ø 1,7	LIMITADOR Ø 1,7	LIMITADOR Ø 1,7	LIMITADOR Ø 1,7
62	RACCORDO	CONNECTOR	PASSTÜCK	RACCORD	EMPALME	LIGAÇÃO	VERBINDINGSSTUK
63	RACCORDO	CONNECTOR	PASSTÜCK	RACCORD	EMPALME	LIGAÇÃO	VERBINDINGSSTUK
64	RACCORDO	CONNECTOR	PASSTÜCK	RACCORD	EMPALME	LIGAÇÃO	VERBINDINGSSTUK
65	PIANO INTERMEDIO	INTERMEDIATE PLANE	MITTENBLECH	PLAN INTERMEDIAIRE	PLANO INTERMEDIO	PLACA INTERMÉDIA	TUSSENPAANEEL
66	RACCORDO	CONNECTOR	PASSTÜCK	RACCORD	EMPALME	LIGAÇÃO	VERBINDINGSSTUK
67	SUPPORTO VENTILATORE	FAN HOLDER	LÜFTERHALTERUNG	SUPPORT VENTILATEUR	SOPORTE VENTILADOR	SUPORTE VENTILADOR	VENTILATOR HOUDER
68	MOTORE	ELECTRIC MOTOR	MOTOR	MOTEUR ELECTRIQUE	MOTOR	MOTOR	ELEKTROMOTOR



Art./Item 488