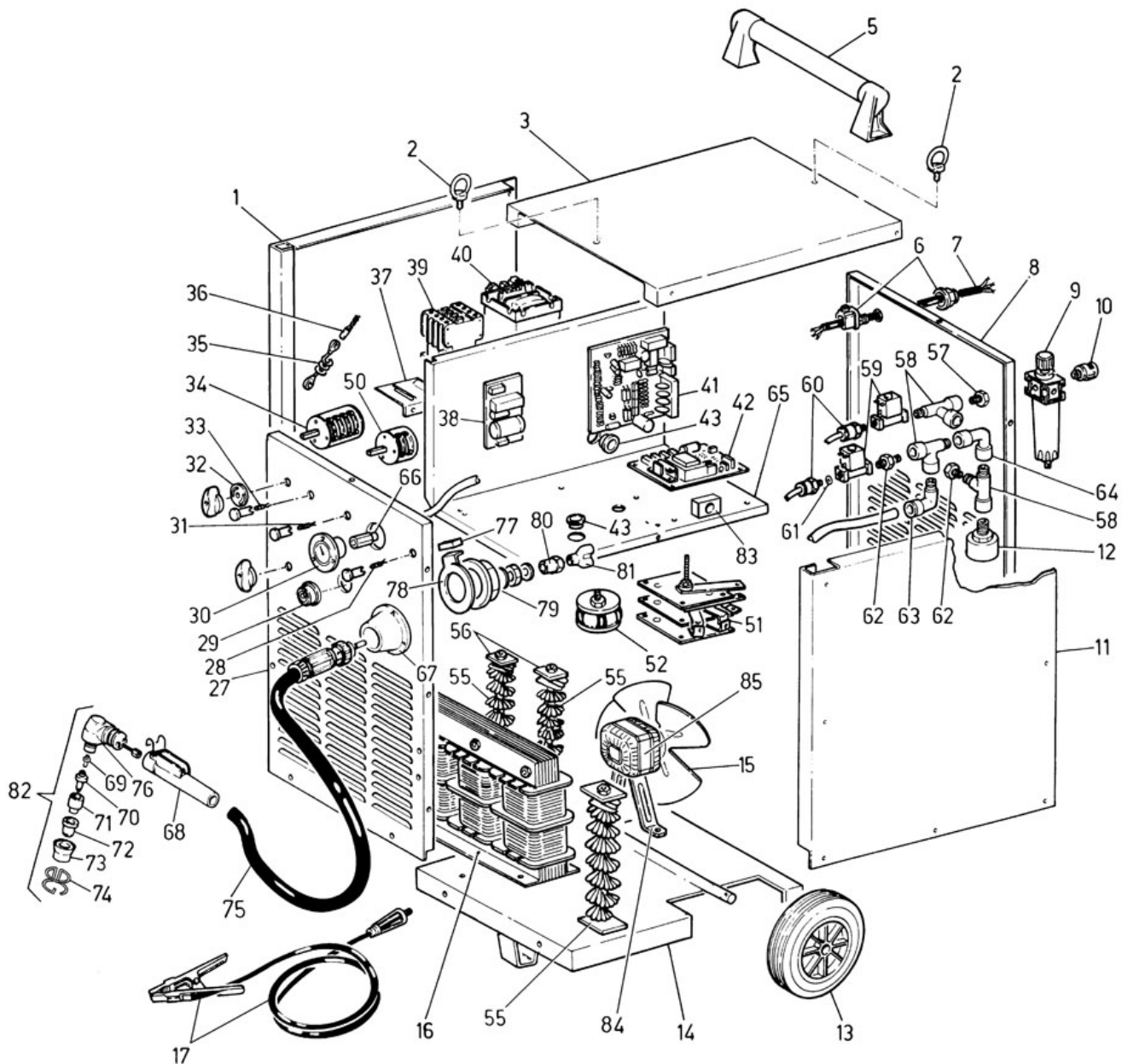


**Art./Item 489**

POS.	DESCRIZIONE	DESCRIPTION	STÜCKLISTE	DESCRIPTION	DENOMINACION	DESCRIÇÃO	BESCHRIJVING
1	FASCIONE SINISTRO	LEFT HOUSING	LINKES GEHÄUSE	PANNEAU GAUCHE	CARCASA IZQUIERDA	FECHO ESQUERDA	LINKERPANEEL
2	GOLFARE	EYEBOLT	OESENSCHRAUBE	ANNEAU	BULÓN DE SUSPENSIÓN	ARGOLA	OOGBOUW
3	TETTuccio	TOP PANEL	DECKEL	PANNEAU SUPERIEUR	TAPA	TAMPA	BOVENPANEEL
5	MANICO COMPLETO	COMPLETE HANDLE	KOMPLETTER HANDGRIFF	POIGNEE COMPLETE	MANIJA COMPLETA	PUNHO COMPLETO	HANDVAT
6	PRESSACAVO	STRAIN RELIEF	ZUGENLASTUNG	SERRE-CABLE	PRENSA-CABLE	FIXADOR DO CABO ELÉCTRICO	KABELHOUDER
7	CAVO RETE	MAINS INPUT CABLE	NETZANSCHLUSSLEITUNG	CABLE-RESEAU	CABLE RED	CABO DE ALIMENTAÇÃO	VOEDINGSKABEL
8	PANNELLO POSTERIORE	BACK PANEL	RÜCKWAND	PANNEAU ARRIERE	PANEL POSTERIOR	PAINEL POSTERIOR	ACHTERPANEEL
9	RIDUTTORE	REDUCER	DRUCKMINDERER	REDUCTEUR	REDUCTOR	REDUTOR	DRUKVERMINDERAAR
10	RACCORDO	JOINT	PASSTÜCK	RACCORD	EMPALME	LIGAÇÃO	VERBINDINGSSTUK
11	FASCIONE DESTRO	RIGHT HOUSING	RECHTES GEHÄUSE	PANNEAU DROIT	CARCASA DERECHA	FECHO DIREITA	RECHTERPANEEL
12	PRESSOSTATO	PRESSURE SWITCH	DRUCKWAECHTER	PRESSOSTAT	PRESÓSTATO	PRESSOSTATO	DRUKSCHAKELAAR
13	RUOTA	WHEEL	RAD	ROUE	RUEDA	RODA	WIEL
14	FONDO	BASE	BODENBLECH	FOND	FONDO	BASE	BODEM
15	VENTOLA	FAN	LÜFTERRAD	VENTILATEUR	VENTILADOR	VENTILADOR	VENTILATOR
16	TRASFORMATORE	TRANSFORMER	TRANSFORMATOR	TRANSFORMATEUR	TRANSFORMADOR	TRANSFORMADOR	TRANSFORMATOR
17	CAVO MASSA	EARTH CABLE	MASSEKABEL	CABLE DE TERRE	CABLE MASA	CABO MASSA	MASSAKABEL
27	PANNELLO ANTERIORE	FRONT PANEL	VORDERWAND	PANNEAU AVANT	PANEL ANTERIOR	PAINEL ANTERIOR	VOORPANEEL
28	LAMPADA SPIA	PILOT LAMP	SIGNALLAMPE	LAMPE TEMOIN	LAMPARA ESPIA	LÂMPADA VIGIA	CONTROLELAMPJE
29	INNESTO TEXAS	TEXAS CONNECTION	KUPPLUNG TEXAS	CONNEXION TEXAS	CONEXION TEXAS	NEXOS TEXAS	TEXAS VERBINDINGSSTUK
30	MANOMETRO	GAUGE	MANOMETER	MANOMETRE	MANOMETRO	MANÓMETRO	METER
31	LAMPADA SPIA	PILOT LAMP	SIGNALLAMPE	LAMPE TEMOIN	LAMPARA ESPIA	LÂMPADA VIGIA	CONTROLELAMPJE
32	ARRESTO	LOCK DISK	BLOCKSCHIEBE	DISQUE D'ARRET	CAMBIATENSION	POSICIONADOR DO COMPUTADOR	SLOTSCHAKELAAR
33	LAMPADA	LAMP	SIGNALLAMPE	LAMPE	LAMPARA	PILOTO	LAMPJE
34	COMMUTATORE	COMMUTATOR	SCHALTER	COMMUTATEUR	INTERRUPTOR	INTERRUPTOR	OMZETTER
35	BOBINA	SPOOL	SPULEN	BOBINE	BOBINA	BOBINA	SPOEL
36	CONNESSIONE REED	REED CONNECTION	REED ANSCHLUSSTECKER	CONNEXION REED	CONEXION REED	CONEXÃO REED	RODE VERBINDING
37	SUPPORTO TELERUTTORE	REMOTE CONTROL SWITCH SUPPORT	STEUERSCHÜTZMOTORFUSS	SUPPORT TELERUPTEUR	SOPORTE TELERRUPTOR	SUPORTE TELERRUPTOR	HOUDER VAN ELEKTROMAGNETISCHE SCHAKELAAR
38	CIRCUITO FILTRO	FILTER CIRCUIT	FILTERPLATINE	CIRCUIT FILTRE	CIRCUITO FILTRO	CIRCUITO FILTRO	FILTERSTROOMKRING
39	TELERUTTORE	REMOTE CONTROL SWITCH	STEUERSCHÜTZ	TELERUPTEUR	TELERRUPTOR	TELERRUPTOR	ELEKTROMAGNETISCHE SCHAKELAAR
40	TRASFORMATORE DI SERVIZIO	AUXILIARY TRANSFORMER	STEUERTRANSFORMATOR	TRANSFORMATEUR AUXILIAIRE	TRANSFORMADOR DE SERVICIO	TRANSFORMADOR DE SERVIÇO	HULPTRANSFORMATOR
41	CIRCUITO DI CONTROLLO	CONTROL CIRCUIT	STEUERPLATINE	CIRCUIT DE CONTROLE	CIRCUITO DE CONTROL	CIRCUITO DE CONTROLLO	STUURSTROOMKRING
42	CIRCUITO ALTA FREQUENZA	HIGH FREQUENCY CIRCUIT	HOCH FREQUENZ STROMKREIS	CIRCUIT HAUTE FREQUENCE	CIRCUITO ALTA FRECUENCIA	CIRCUITO ALTA FREQUÊNCIA	STROOMKRING VAN HOOGFREQUENT
43	PASSACAVO	CABLE OUTLET	KABEL FÜHRUNG	PASSE-CABLE	PASA-CABLE	PASA-CABO	KABELAANSLUITSTUK
44	RACCORDO	JOINT	PASSTÜCK	RACCORD	EMPALME	LIGAÇÃO	VERBINDINGSSTUK
45	RACCORDO	JOINT	PASSTÜCK	RACCORD	EMPALME	LIGAÇÃO	VERBINDINGSSTUK
46	RACCORDO	JOINT	PASSTÜCK	RACCORD	EMPALME	LIGAÇÃO	VERBINDINGSSTUK
47	MORSETTIERA	TERMINAL BOARD	KLEMMEN	TABLEAU DE BORNES	CAJA DE BORNES	QUADRO DE BORNES	KLEMMENBORD
48	RACCORDO	JOINT	PASSTÜCK	RACCORD	EMPALME	LIGAÇÃO	VERBINDINGSSTUK
50	COMMUTATORE	COMMUTATOR	SCHALTER	COMMUTATEUR	INTERRUPTOR	COMUTADOR	OMZETTER
51	RADDRIZZATORE	RECTIFIER	GLEICHRICHTER	REDRESSEUR	ENDEREZADOR	RECTIFICADOR	GELIJKRICHTER
52	TRASFORMATORE ALTA TENSIONE	HIGH-TENSION TRANSFORMER	HOCHSPANNUNGSTRANSFORMATOR	TRANSFORMATEUR HAUTE TENSION	TRANSFORMADOR ALTA TENSION	TRANSFORMADOR ALTA TENSÃO	HOOGSPANNINGSTRANSFORMATOR
55	RESISTENZA	RESISTANCE	WIDERSTAND	RESISTANCE	RESISTENCIA	RESISTÊNCIA	WEERSTAND
55	RESISTENZA	RESISTANCE	WIDERSTAND	RESISTANCE	RESISTENCIA	RESISTÊNCIA	WEERSTAND
56	ISOLANTE	INSULATING MATERIAL	ISOLIERENDER	ISOLANT	AISLAMIENTO	ISOLADOR	ISOLATOR
57	RACCORDO	JOINT	PASSTÜCK	RACCORD	EMPALME	LIGAÇÃO	VERBINDINGSSTUK
58	RACCORDO	JOINT	PASSTÜCK	RACCORD	EMPALME	LIGAÇÃO	VERBINDINGSSTUK
59	ELETTROVALVOLA	SOLENOID VALVE	MAGNETVENTIL	ELECTROVANNE	ELECTRO-VALVULA	ELECTROVÁLVULA	ELEKTROMAGNETISCH VENTIEL
60	RACCORDO	JOINT	PASSTÜCK	RACCORD	EMPALME	LIGAÇÃO	VERBINDINGSSTUK
61	LIMITATORE Ø 1,7	LIMITING DEVICE Ø 1,7	BEGRENZER DURCHM. 1,7	LIMITATEUR Ø 1,7	LIMITADOR DIAM. 1,7	LIMITADOR Ø 1,7	RESTRICTIEKLEP Ø 1,7
62	RACCORDO	JOINT	PASSTÜCK	RACCORD	EMPALME	LIGAÇÃO	VERBINDINGSSTUK
63	RACCORDO	JOINT	PASSTÜCK	RACCORD	EMPALME	LIGAÇÃO	VERBINDINGSSTUK
64	RACCORDO	JOINT	PASSTÜCK	RACCORD	EMPALME	LIGAÇÃO	VERBINDINGSSTUK
65	PIANO INTERMEDIO	INTERMEDIATE PLANE	MITTENBLECH	PLAN INTERMEDIAIRE	PLANO INTERMEDIO	PLACA INTERMEDIA	TUSSENPANEEL
66	RACCORDO	JOINT	PASSTÜCK	RACCORD	EMPALME	LIGAÇÃO	VERBINDINGSSTUK

67	FLANGIA	FLANGE	FLANSCH	BRIDE	VALONA	FLANGE	TOORTSHOUDER
68	IMPUGNATURA	HANDGRIP	GRIFFSCHALEN	POIGNEE	EMPUÑADURA	EMPUNHADURA	HANDVAT P70
69	DIFFUSORE IN OTTONE	BRASS DIFFUSER	MESSINGDIFFUSOR	DIFFUSEUR EN LAITON	DIFUSOR DE LATÓN	DIFUSOR EM LATÃO	KOPERVERSPREIDER P70
70	ELETTRODO	ELECTRODE	ELEKTRODE	ELECTRODE	ELECTRODO	ELÉCTRODO	ELEKTRODE P70
71	DIFFUSORE ISOLANTE	INSULATING DIFFUSER	ISOLIERTER DIFFUSOR	DIFFUSEUR ISOLANT	DIFUSOR AISLANTE	DIFUSOR ISOLADOR	DIFUSOR ISOLANTE P70
72	UGELLO	NOZZLE	DÜSE	BUSE	INJECTOR	INJECTOR	MONDSTUK P70
73	PORTA UGELLO	NOZZLE HOLDER	DÜSENHALTER	PORTE-BUSE	PORTA-INJECTOR	PORTA INJECTOR	MONDSTUKHOUDER P70
74	DISTANZIALE A MOLLA	SPACING SPRING	DISTANZFEDER	RESSORT D'ESPACEMENT	RESORTE DISTANCIADORA	MOLA ESPAÇADORA	AFSTANDSVEER
75	CAVO CON ADATTATORE	CABLE WITH ADAPTER	KABEL MIT ZENTRALSTECKER	CABLE AVEC ADAPTATEUR	CABLE CON ADAPTADOR	CABO COM ADAPTADOR	KABEL MET ADAPTER P70
76	TESTINA	HEAD	BRENNERKOPF	TETE P70	CABEZA	CABECINHA	KOPSTUK P70
77	RELE REED	RELAY	RELAIS	RELAIS	RELAIS	RELE	RELAIS
78	SUPPORTO RELE	RELAY-HOLDER	RELAIS HALTER	PORTE RELAIS	SOPORTE RELAIS	SUPORTE RELE	RELAIS-HOUDER
79	ADATTATORE FISSO	FIXED ADAPTER	FESTER ANPASSER	ADAPTATEUR FIXE	ADAPTADOR FIJO	ADAPTADOR FIXO	VASTE ADAPTER
80	RACCORDO	JOINT	PASSTÜCK	RACCORD	EMPALME	LIGAÇÃO	VERBINDINGSSTUK
81	RACCORDO A Y	Y JOINT	Y PASSTÜCK	RACCORD EN Y	EMPALME A Y	LIGAÇÃO A Y	Y VERBINDINGSSTUK
82	TORCIA COMPLETA	COMPLETE TORCH	KOMPLETTBRENNER	TORCHE COMPLETE	ANTORCHA COMPLETA	TOCHA COMPLETA	VOLLEDIGE TOORTS P70
83	RELE ARCO PILOTA	RELAY	RELAIS	RELAIS	RELAIS	RELÉ	RELAIS
84	SUPPORTO VENTILATORE	FAN HOLDER	LÜFTERHALTERUNG	SUPPORT VENTILATEUR	SOPORTE VENTILADOR	SUPORTE VENTILADOR	VENTILATOR HOUDER
85	MOTORE	ELECTRIC MOTOR	MOTOR	MOTEUR ELECTRIQUE	MOTOR	MOTOR	ELEKTROMOTOR



Art./Item 489