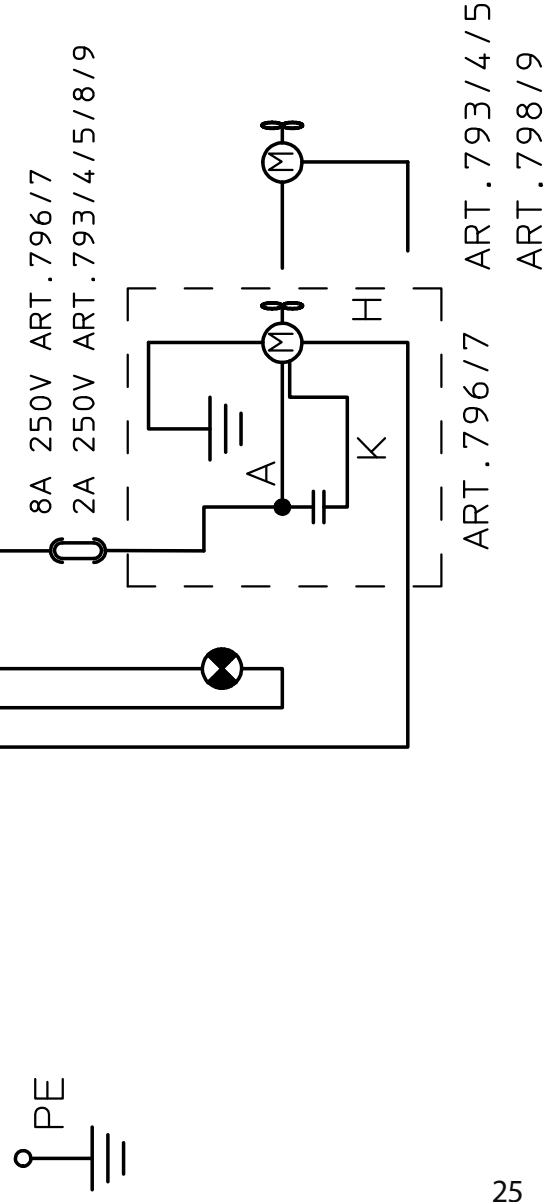
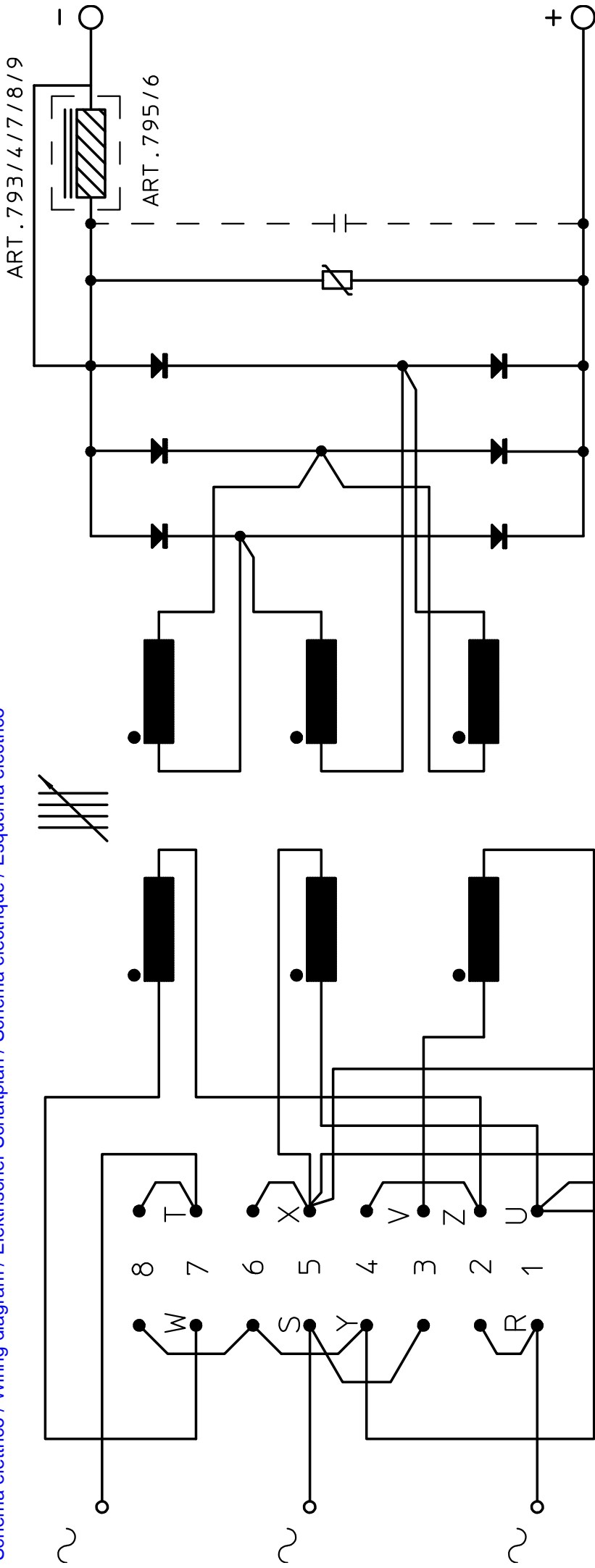


	Codifica colori cablaggio elettrico	Wiring diagram colour code	Farben-Codierung elektrische Schaltplan	Codification couleurs schéma électrique	Codificación colores cableado eléctrico	Codificação cores conjunto eléctrico de cabos
A	Nero	Black	Schwarz	Noir	Negro	Negro
B	Rosso	Red	Rot	Rouge	Rojo	Vermelho
C	Grigio	Grey	Grau	Gris	Gris	Cinzeno
D	Bianco	White	Weiss	Blanc	Blanco	Branco
E	Verde	Green	Gruen	Vert	Verde	Verde
F	Viola	Purple	Violett	Violet	Violeta	Violeta
G	Giallo	Yellow	Gelb	Jaune	Amarillo	Amarelo
H	Blu	Blue	Blau	Bleu	Azul	Azul
K	Marrone	Brown	Braun	Marron	Marron	Castanho
J	Arancione	Orange	Orange	Orange	Nardnja	Alaranjado
I	Rosa	Pink	Rosa	Rose	Rosa	Rosa
L	Rosa-nero	Pink-black	Rosa-schwarz	Rose-noir	Rosa-negro	Rosa-negro
M	Grigio-viola	Grey-purple	Grau-violett	Gris-violet	Gris-violeta	Cinzeno-violeta
N	Bianco-viola	White-purple	Weiss-violett	Blanc-violet	Blanco-violeta	Branco-violeta
O	Bianco-nero	White-black	Weiss-schwarz	Blanc-noir	Blanco-negro	Branco-negro
P	Grigio-blu	Grey-blue	Grau-blau	Gris-bleu	Gris-azul	Cinzeno-azul
Q	Bianco-rosso	White-red	Weiss-rot	Blanc-rouge	Blanco-rojo	Branco-vermelho
R	Grigio-rosso	Grey-red	Grau-rot	Gris-rouge	Gris-rojo	Cinzeno-vermelho
S	Bianco-blu	White-blue	Weiss-blau	Blanc-bleu	Blanco-azul	Branco-azul
T	Nero-blu	Black-blue	Schwarz-blau	Noir-bleu	Negro-azul	Negro-azul
U	Giallo-verde	Yellow-green	Gelb-gruen	Jaune-vert	Amarillo-verde	Amarelo-verde



8		●		●		●		●		●		ON
7	●											ON
6												ON
5	●											ON
4												ON
3	●											ON
2	●											ON
1	●											ON